

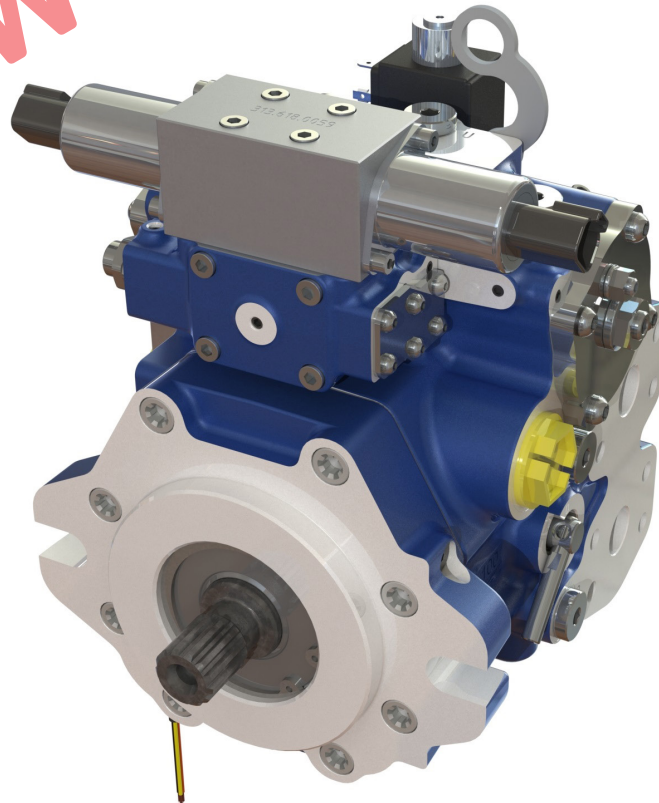


HANSA-TMP

MANUFACTURING YOUR SUCCESS

HT 16 / M / 8005 / 1021 / E

NEW



PRELIMINARY INFORMATION

**VARIABLE DISPLACEMENT
CLOSED LOOP SYSTEM**

HEAVY-DUTY AXIAL PISTON PUMP

TPV 2500

HYDRAULICS FOR MOTION

TPV 2500 Heavy Duty

General Description - Technical Specifications

HANSA-TMP presents the new TPV 2500 axial piston pump.

The pump is in the range of 22-31 cm³/n. displacement, suitable for heavy duty application with a peak pressure of 45 MPa, thanks to the single frame cast iron body.

Displacement cm ³ /n.	Rated pressure MPa	Intermittent pressure MPa	Peak pressure MPa	Minimum speed n/min.	Maximum speed n/min.	Weight kg (Single pump)	Weight kg (Tandem pump)
22	40	42	45	500	3.600	25 - 29	45 - 54
25							
28							
31							

Flange and Shafts	
Front SAE-B Flange	Rear
Parallel keyed shaft ø22.22	Closed
Parallel keyed shaft ø25.4	GR 1
Splined shaft SAE Z13 16/32 DP	SAE-A Z9 16/32 DP
Splined shaft SAE Z15 16/32 DP	SAE-B Z13 16/32 DP

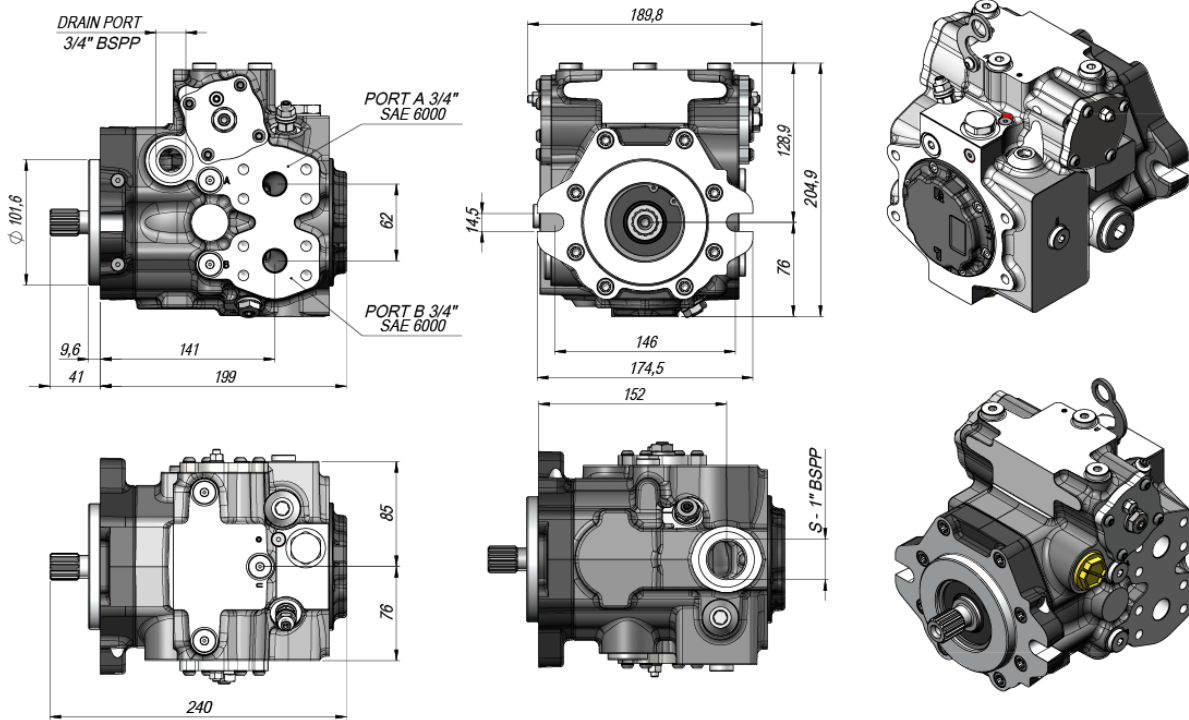
Ports
SAE 6000 3/4" main ports (single pump)
3/4" BSPP main ports (tandem pump)
1" BSPP suction
3/4" BSPP drain
1/4" BSPP gauge

Pump configuration	
Controls	Optional
SHI - Hydraulic servo control	Pressure cut-off valve
SEI - Electro-proportional servo control	Flushing valve
SHIX - Hydraulic servo control with feed back	Pre-arrangement for external filtration
SEIX - Electro-proportional servo control with feed back	Man on board
SMIX - Mechanical lever servo control with feed back	Standard lever by-pass
AM - Automotive electronic	Angle, Speed and Pressure sensors

TPV 2500 Heavy Duty

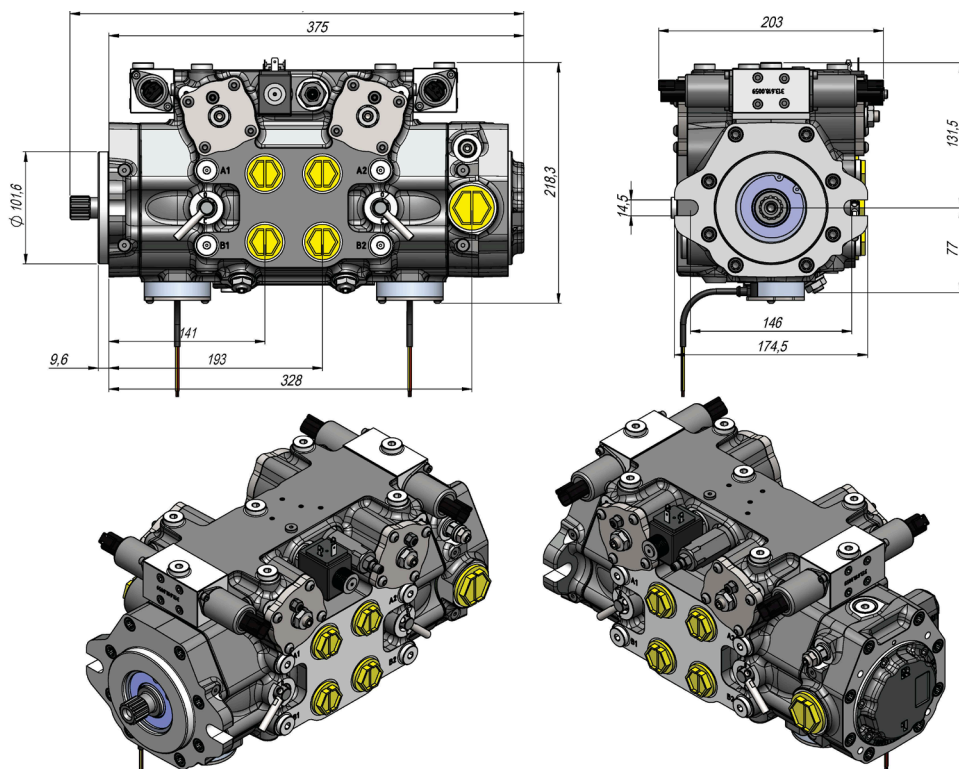
Dimensions

SINGLE PUMP



TANDEM PUMP

The back-to-back pump design allows to reduce up to 20% the length of the pump, compared to the market standards.



Applications

MULTIPURPOSE TRACTORS



FORESTRY FORWARDERS



MINI LOADERS



SKID STEER LOADERS



TPV 1100
6-21 cm³

TPV 1500
17-21 cm³

NEW! TPV 2500
22-31 cm³

TPV 3600
26-38 cm³

TPV 4300
32-50 cm³

COMPACT PUMP
UNIQUE FEATURE
2 PUMPS IN ONE SINGLE BODY

Compact tandem back-to-back

TPVT 1300
Length 279 mm
Displacement 6-21 cm³
Pressure up to 300 bar

TPVTC 1500
Length 285 mm
Displacement 7-21 cm³
Pressure up to 400 bar

NEW! TPVTC 2500
Length 366 mm
Displacement 22-31 cm³
Pressure up to 450 bar



QR code
HANSA-TMP
Company Website